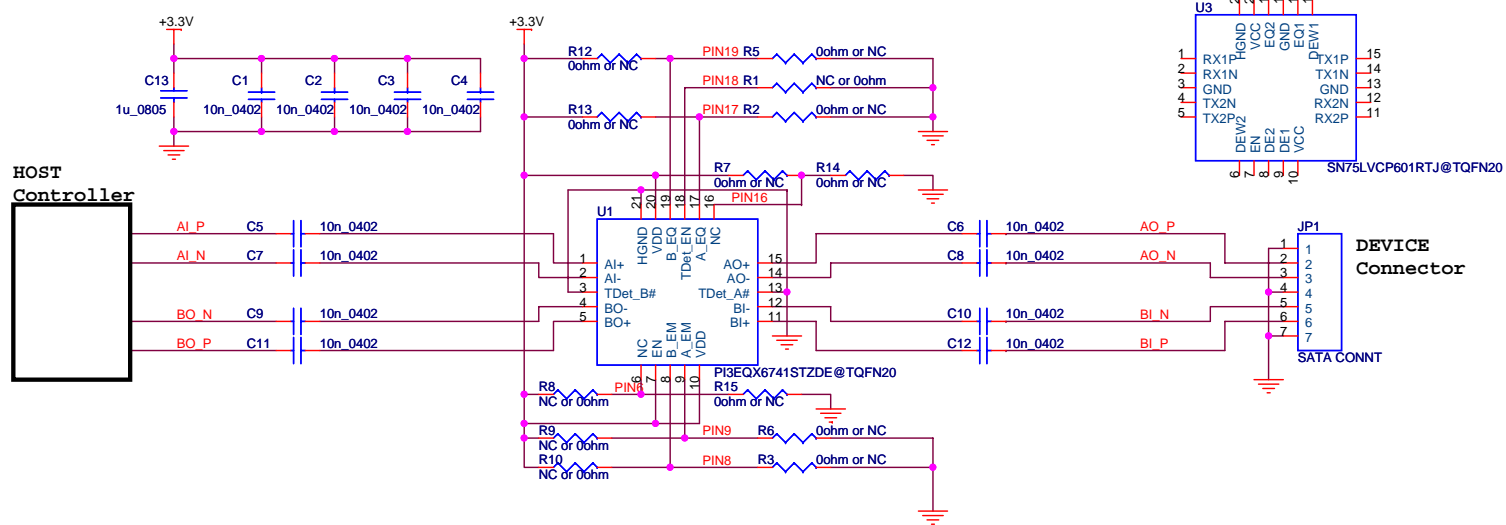


## Compatible Schematic for PI3EQX6741ST and TI-sn75lvcp601



**RESISTOR CONFIGURATION for Control Setting**

PIN No.	PI3EQX6741STZDE		sn75lvcp601	
PIN3 PIN13	TDet_B# TDet_A#	Termination Detect Output for CH A&B They can be connected to GND externally	GND	
PIN7	EN	with internal pull-up High for normal operation	EN	with internal pull-up to VCC High for normal operation
PIN8	B_EM	Pre-em for CH B with internal pull-up it is controlled by R3&R10.	DE2	with internal tied to Vcc/2 It is equalizaition setting for CH 2 and controlled by R3&R10.
PIN9	A_EM	Pre-em for CH A with internal pull-up it is controlled by R6&R9.	DE1	with internal tied to Vcc/2 It is equalizaition setting for CH 1 and controlled by R6&R9.
PIN17	A_EQ	EQ for CH A with internal pull-up/down resistor controlled by R2&R13 for tri-level input	EQ1	with internal tied to Vcc/2 It is de-emphasis setting for CH 1 and controlled by R2&R13.
PIN18	TDet_EN	Termination Detect Enable with internal pull-up R1 is NC for termination detect function	GND	R1 should be 0ohm
PIN19	B_EQ	EQ for CH B with internal pull-up/down resistor controlled by R5&R12 for tri-level input	EQ2	with internal tied to Vcc/2 It is de-emphasis setting for CH 2 and controlled by R5&R12.
PIN6	NC	R8&R15 can be 0ohm or NC.	DEW2	De-emphasis width control for CH2 Controlled by R8&R15
PIN16	NC	R7&R14 can be 0ohm or NC.	DEW1	De-emphasis width control for CH 1 Controlled by R7&R14
All other pin functions are the same				